



شیشه و گاز

SHISHE VA GAZ

NAME:

SHOGA.200.C.c.W1

PRODUCT DATA

Brimful Capacity	210±7 ml
Filling Capacity	200 ml
Weight	150±7 gr
Colour	Flint
RING	GPI 26-600
Lablling	YES
printing	NO

TECHNICAL DATA

Machine Status: NNPB (5")	
Hight (mm)	180.5±1.4
Diameter (mm)	52.4±1.2
Hot end Coating	YES
Cold end Coating	YES
Carbonated level	-
Thermoshock Max (c)	.
Pressur Max(bar)	20
Body Thickness min (mm)	1.3
Vertical Durability MAX(mm)	3.8

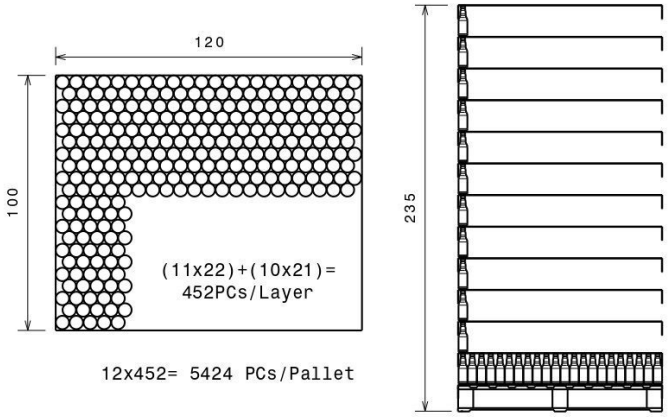
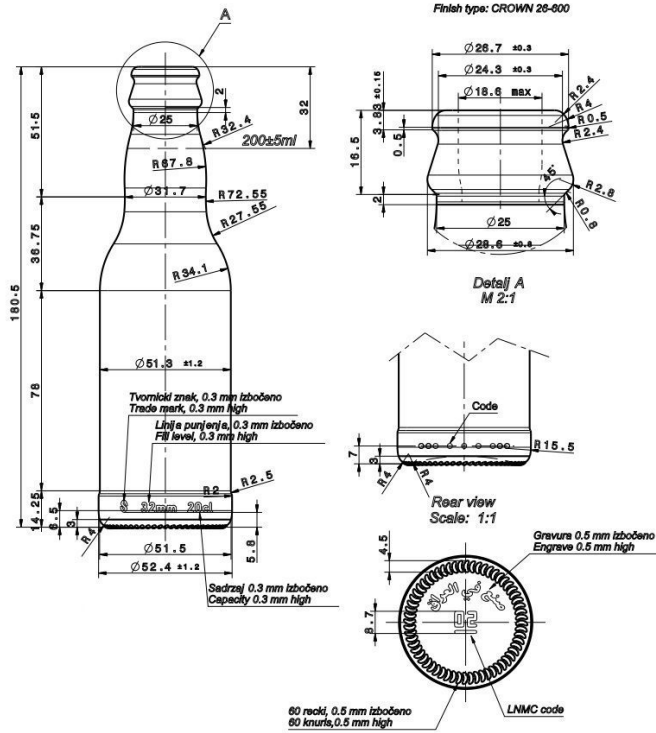
PACKING DATA

Pallet Size(cm) 120x100x235	
Nr.of Layers	12
Nr.of PCs in a Layer	452
Layer Weight(kg)	76
Nr.of PCs in a Pallet	5424
Pallet Weight(kg)	845
Area Efficiency(m <sup>2</sup> )	1.2
Pallet Type: Wooden STD	

CODE

NR: MB - - - 162  
DATE: 1400/02/22

DATA Ref: GPI & INSO  
1409



Review Date: 05/07/2020

Review Num: 1

Document's code: QF1806





**SHISHE VA GAZ**

DATA Ref: GPI & INSO 1409

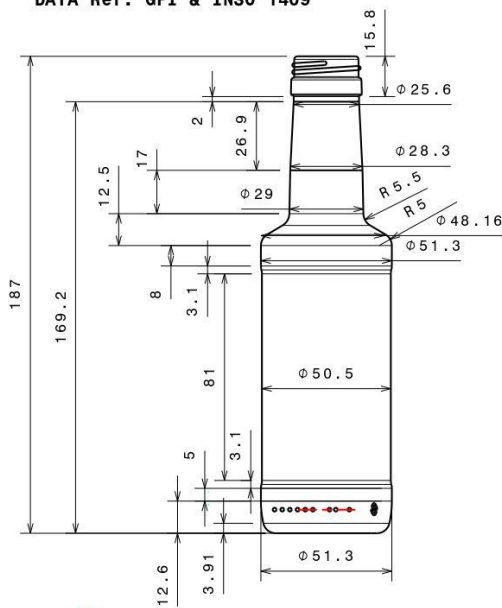
NAME:  
SHOGA.200.C.c.W2

**PRODUCT DATA**

Brimful Capacity	210±7 mL
Filling Capacity	200 mL
Weight	160±7 gr
Colour	Flint
RING	TO 28 GF 304
Lablling	NO
printing	NO

**TECHNICAL DATA**

Machine Status: <b>NNPB 5"</b>	
Hight (mm)	187±1.3
Diameter (mm)	51.3±1.1
Hot end Coating	YES
Cold end Coating	YES
Carbonated level	-
Thermoshock Max (c)	-
Pressur Max(bar)	-
Body Thickness min (mm)	1.3
Vertical Durability MAX(mm)	3.9

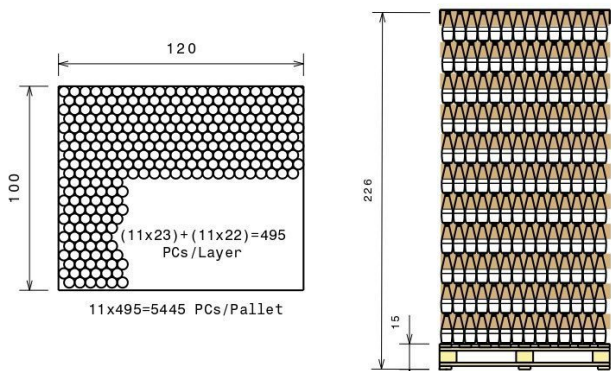


BOTTOM VIEW

54 CRESCENT STIPPLES ON BEARING SURFACE  
4.0 LONG x 1.3 WIDE x 0.5 DEEP

**PACKING DATA**

Pallet Size(cm)	
120x100x230	
Nr.of Layers	11
Nr.of PCs in a Layer	495
Layer Weight(kg)	79
Nr.of PCs in a Pallet	5445
Pallet Weight(kg)	900
Area Efficiency(m <sup>2</sup> )	1.2
Pallet Type: Wooden STD	



DATE:

Review Date: 05/07/2020

Review Num: 1

Document's code: QF1807





شیشه و گاز

SHISHE VA GAZ

DATA Ref : GPI & INSO 1409

**NAME:**

SHOGA.200.J.S.W1

**PRODUCT DATA**

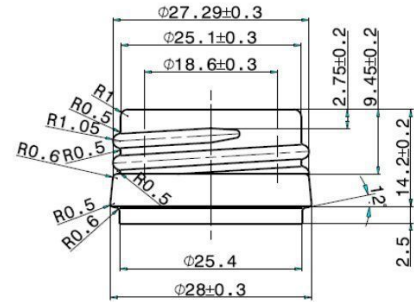
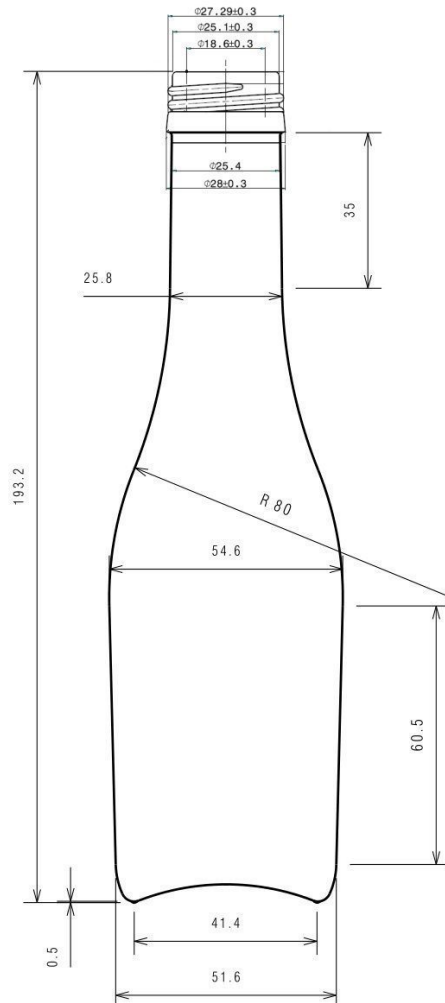
Brimful Capacity (mL)	210±6
Filling Capacity (mL)	200±7
Weight (gr)	160±7
Colour	Flint
Ring	TO 28 MCA2
Labelling	No
Printing	No

**TECHNICAL DATA**

**Machine Status:**

NNPB 5"

Height (mm)	193.2±1.3
Diameter (mm)	54.2±1.1
Hot end Coating	Yes
Cold end Coating	Yes
Carbonated level	***
Thermoshock Max (°C)	***
Pressure Max (bar)	14
Body Thickness MIN (mm)	1.3
Vertical Durability MAX (mm)	4.0



**PACKING DATA**

**Pallet Size (cm):**

100\*120\*215

Nr. of Layers	10
Nr. of PCs in a Layer	452
Layer Weight (Kg)	75
Nr. of PCs in a Pallet	4520
Pallet Weight (Kg)	780
Area Efficiency (m²)	1.2

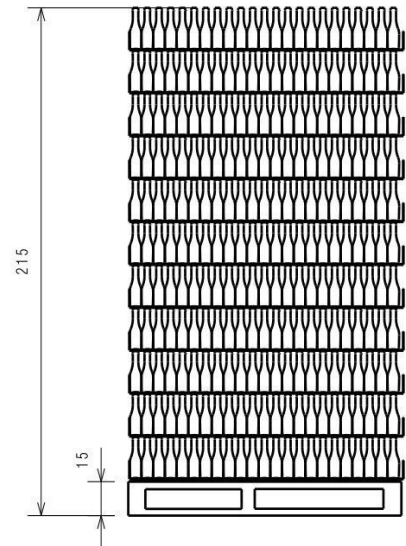
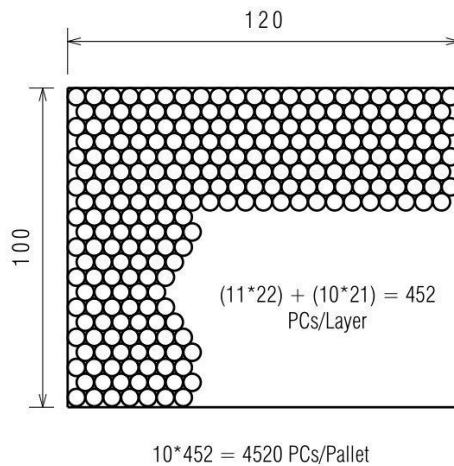
**Pallet Type:**

Wooden STD

**CODE NR:**

**DATE:**

1401/4/11



Review Date: 05/07/2020

Review Num: 1

Document's code: QF1806



شیشه و گاز

**SHISHE VA GAZ**

DATA Ref: GPI & INSO 1409

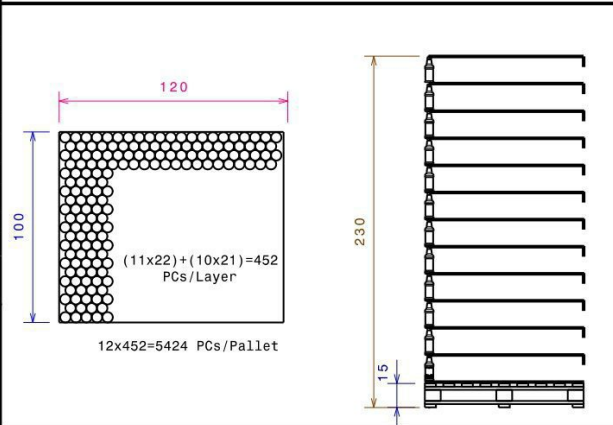
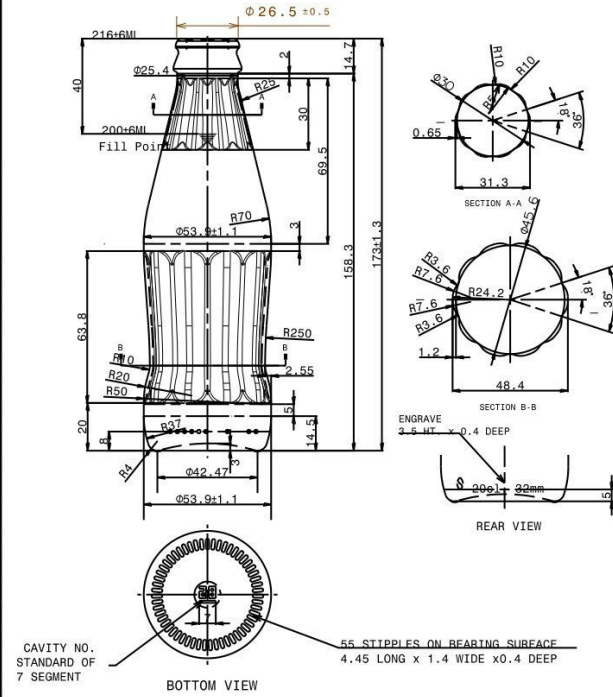
NAME:  
**SHOGA.200.C.c.W3**

PRODUCT DATA	
Brimful Capacity	215±7 ml
Filling Capacity	200
Weight	150±8 gr
Colour	Flint
RING	GPI 26-655
Labling	NO
printing	NO

TECHNICAL DATA	
Machine Status: <b>NNPB 5"</b>	
Hight (mm)	173±1.3
Diameter (mm)	53.9±1.2
Hot end Coating	YES
Cold end Coating	YES
Carbonated level	-
Thermoshock Max (c)	-
Pressur Max(bar)	20
Body Thickness min (mm)	1.3
Verticality(mm)	3.6

PACKING DATA	
Pallet Size(cm) <b>120x100x230</b>	
Nr.of Layers	12
Nr.of PCs in a Layer	452
Layer Weight(kg)	68
Nr.of PCs in a Pallet	5424
Pallet Weight(kg)	845
Area Efficiency(m <sup>2</sup> )	1.2
Pallet Type: Wooden STD	

CODE  
NR: MB135  
DATE: 1399/08/29





شیشه و گاز

SHISHE VA GAZ

DATA Ref: GPI & INSO 1409

NAME:

SHOGA.200.C.Tc.W4

PRODUCT DATA

Brimful Capacity	215±8 ML
Filling Capacity	200 ML
Weight	170±7 GR
Colour	Flint
RING	540
Lablling	yes
printing	NO

TECHNICAL DATA

Machine Status:

NNPB

Hight (mm)	185±1.5
Diameter (mm)	∅52.3±1.2
Hot end Coating	YES
Cold end Coating	YES
Carbonated level	-
Thermoshock Max (c)	.
Pressur Max(bar)	20
Body Thickness min (mm)	1.3
Vertical Durability MAX(mm)	4.7

PACKING DATA

Pallet Size(cm)

120x100x225

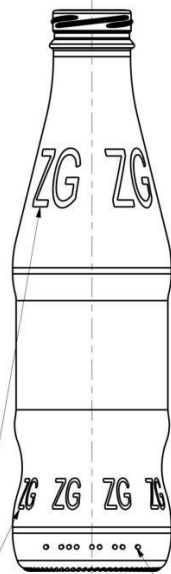
Nr.of Layers	11
Nr.of PCs in a Layer	462
Layer Weight(kg)	78
Nr.of PCs in a Pallet	5082
Pallet Weight(kg)	890
Area Efficiency(m <sup>2</sup> )	1.2
Pallet Type:	Wooden STD

CODE NR:

MB - - - 170

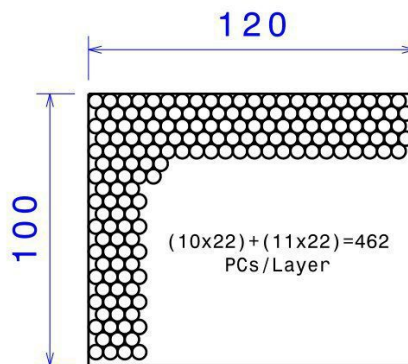
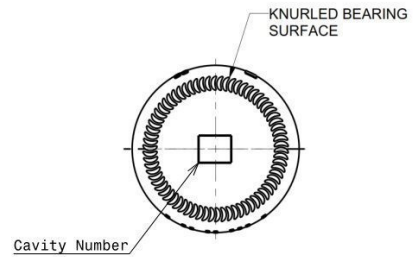
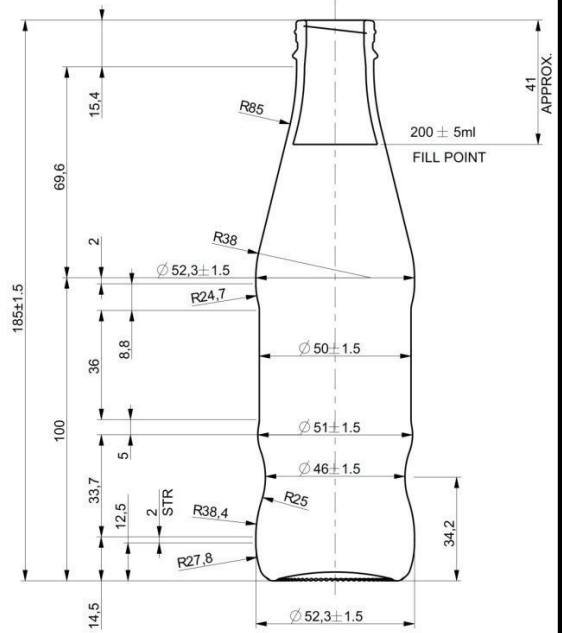
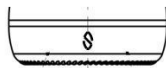
DATE: 2018/jun/20

1397/04/1

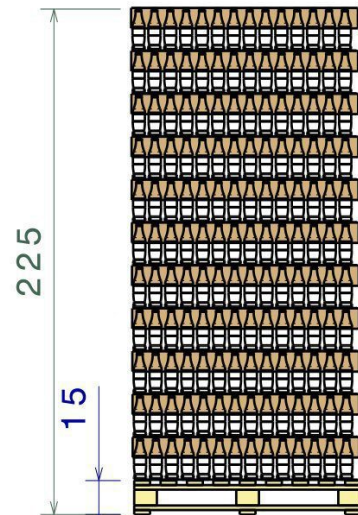


lettering  
0.4mm deep

9 DOT HEEL CODE



11x462=5082 PCs/Pallet



Signature-Designer:

QC:

Customers:

Manager:





شیشه و گاز

**SHISHE VA GAZ**

DATA Ref: GPI & INSO 1409

NAME:

SHOGA.250.C.Tc.W1

**PRODUCT DATA**

Brimful Capacity	265±8 mL
Filling Capacity	250 mL
Weight	170±9 gr
Colour	Flint
RING	26-5407
Labelling	NO
printing	NO

**TECHNICAL DATA**

Machine Status:

**NNPB (5")**

Hight (mm)	200±1.4
Diameter (mm)	56.3±1.2
Hot end Coating	YES
Cold end Coating	YES
Carbonated level	-
Thermoshock Max (c)	50
Pressur Max(bar)	NO
Body Thickness min (mm)	1.3
Vertical Durability MAX(mm)	4.7

**PACKING DATA**

Pallet Size(cm)

**120x100x222**

Nr.of Layers	10
Nr.of PCs in a Layer	410
Layer Weight(kg)	70
Nr.of PCs in a Pallet	4100
Pallet Weight(kg)	730
Area Efficiency(m <sup>2</sup> )	1.2

Pallet Type:

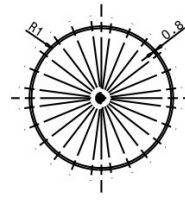
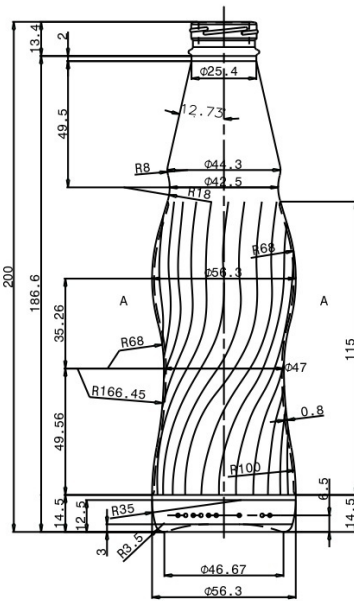
Wooden STD

CODE

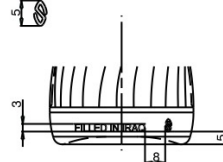
NR: EN - -91

DATE:

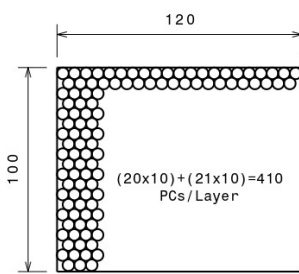
1399/11/22



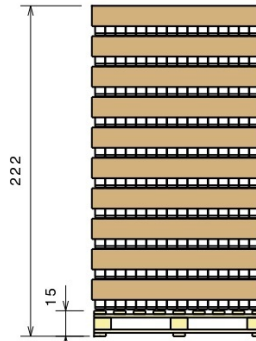
A-A



60 STIPPLES  
4 LONG x 1.2 WIDE x 0.5 DEEP



10x410=4100 PCs/Pallet



Review Date: 05/07/2020

Review Num: 1

Document's code: QF1806



شیشه و گاز

## SHISHE VA GAZ

### PRODUCT DATA

NAME:

SHOGA.250.C.Tc.W3

Brimful Capacity	260±7 mL
Filling Capacity	250mL
Weight	172±8 gr
Colour	Flint
RING	GPI 26-655
Lablling	NO
printing	NO

### TECHNICAL DATA

Machine Status:

NNPB (5")

Lenght	208±1.4
Diameter	53.5±1.2
Hot end Coating	YES
Cold end Coating	YES
Carbonated level	-
Thermoshock Max (c)	---
Pressur Max(bar)	20
Axial Loading Max(kg)	1.3
Vertical Durability MAX(4.2mm)	

### PACKING DATA

Pallet Size(cm)

120x100x230

Nr.of Layers	10
Nr.of PCs in a Layer	452
Layer Weight(kg)	78
Nr.of PCs in a Pallet	4520
Pallet Weight(kg)	807
Area Efficiency(m <sup>2</sup> )	1.2

Pallet Type:  
WOODEN

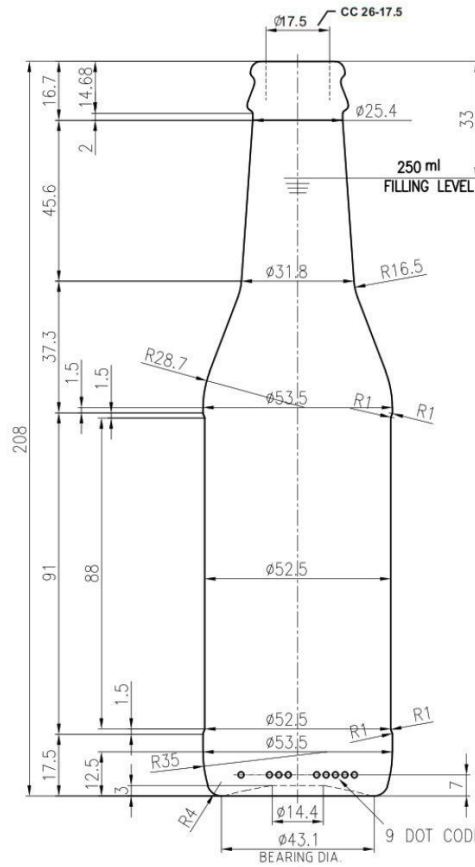
CODE

NR: EM - - - 142

DATE:

1399/11/07

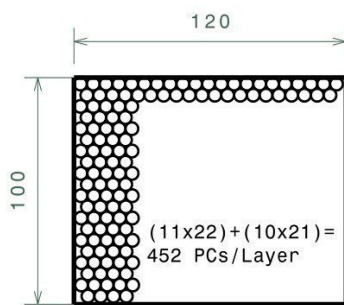
DATA Ref: GPI & INSO 1409



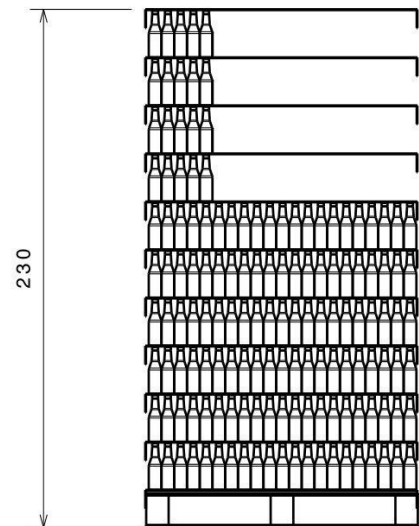
60 STIPPLES ON BEARING SURFACE  
5.0 LONG x 1.3 WIDE x 0.4 DEEP

CAVITY NO.  
0.4 DEEP

BOTTOM VIEW



10x452=4520 PCs/Pallet



Review Date: 05/07/2020

Review Num: 1

Document's code: QF1806



شیشه و گاز

SHISHE VA GAZ

DATA Ref: GPI & INSO 1409

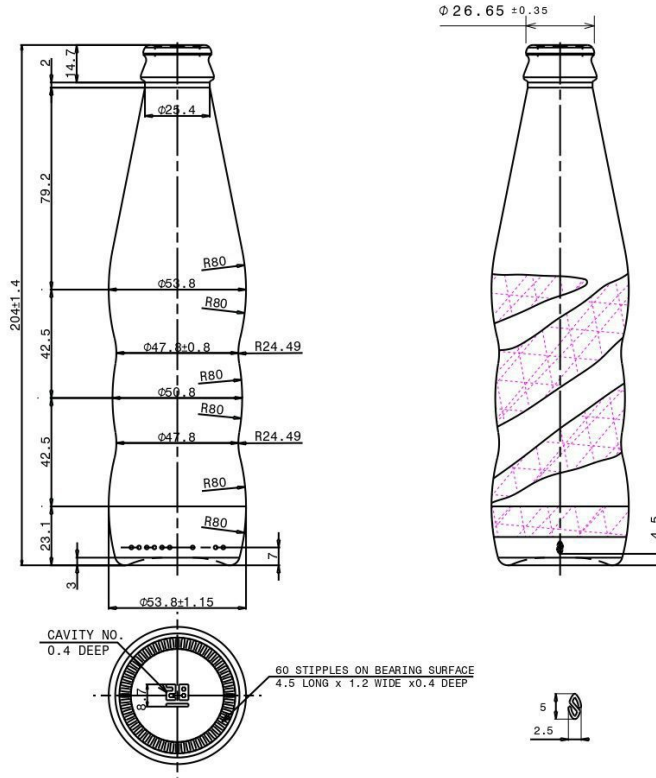
NAME:  
SHOGA.250.C.c.W8

**PRODUCT DATA**

Brimful Capacity (mL)	265±8
Filling Capacity (mL)	250
Weight (gr)	170±9
Colour	Flint
RING	GPI 26-655
Labelling	YES
printing	NO

**TECHNICAL DATA**

Machine Status: NNPB (5")	
Height (mm)	204±1.4
Diameter (mm)	53.8 ±1.15
Hot end Coating	Yes
Cold end Coating	Yes
Carbonated level	***
Thermoshock Max (°C)	***
Pressure Max(bar)	20
Body Thickness min (mm)	1.3
Vertical Durability MAX (mm)	4.2



**PACKING DATA**

Pallet Size (cm):

120x100x225

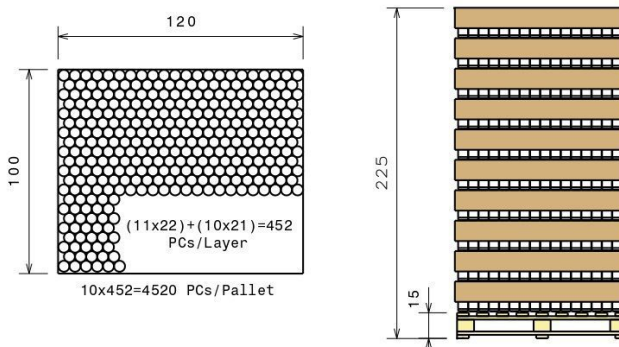
Nr.of Layers	10
Nr.of PCs in a Layer	452
Layer Weight (Kg)	77
Nr.of PCs in a Pallet	4520
Pallet Weight (Kg)	800
Area Efficiency(m <sup>2</sup> )	1.2

Pallet Type:  
Wooden STD

CODE NR:

EN --- 108

DATE: 13-09-1400  
04-12-2021



Review Date: 05/07/2020

Review Num: 1

Document's code: QF1806



شیشه و گاز

**SHISHE VA GAZ**

**NAME:**

SHOGA.250.C.c.W3

**PRODUCT DATA**

Brimful Capacity	265±7 ML
Filling Capacity	250 ML
Weight	170±8 gr
Colour	Flint
RING	GPI-600
Lablling	YES
printing	NO

**TECHNICAL DATA**

Machine Status:

**NNPB (5")**

Hight (mm)	205±1.4
Diameter (mm)	Ø52.6±1.2
Hot end Coating	YES
Cold end Coating	YES
Carbonated level	32mm
Thermoshock Max (c)	-
Pressur Max(bar)	20
Body Thickness min (mm)	1.3
Verticality MAX(mm)	4.1

**PACKING DATA**

Pallet Size(cm)

120x100x223

Nr.of Layers	10
Nr.of PCs in a Layer	452
Layer Weight(kg)	79
Nr.of PCs in a Pallet	4520
Pallet Weight(kg)	820
Area Efficiency(m <sup>2</sup> )	1.2

Pallet Type:

Wooden STD

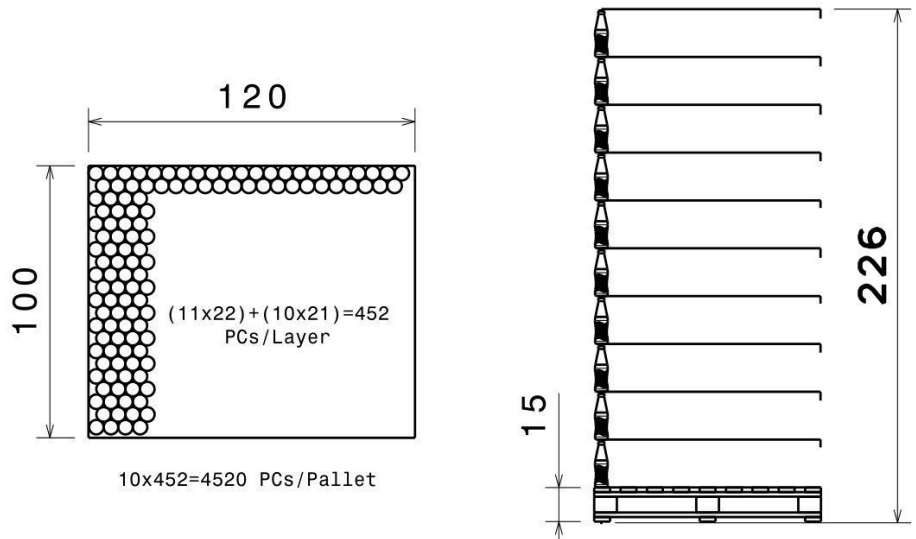
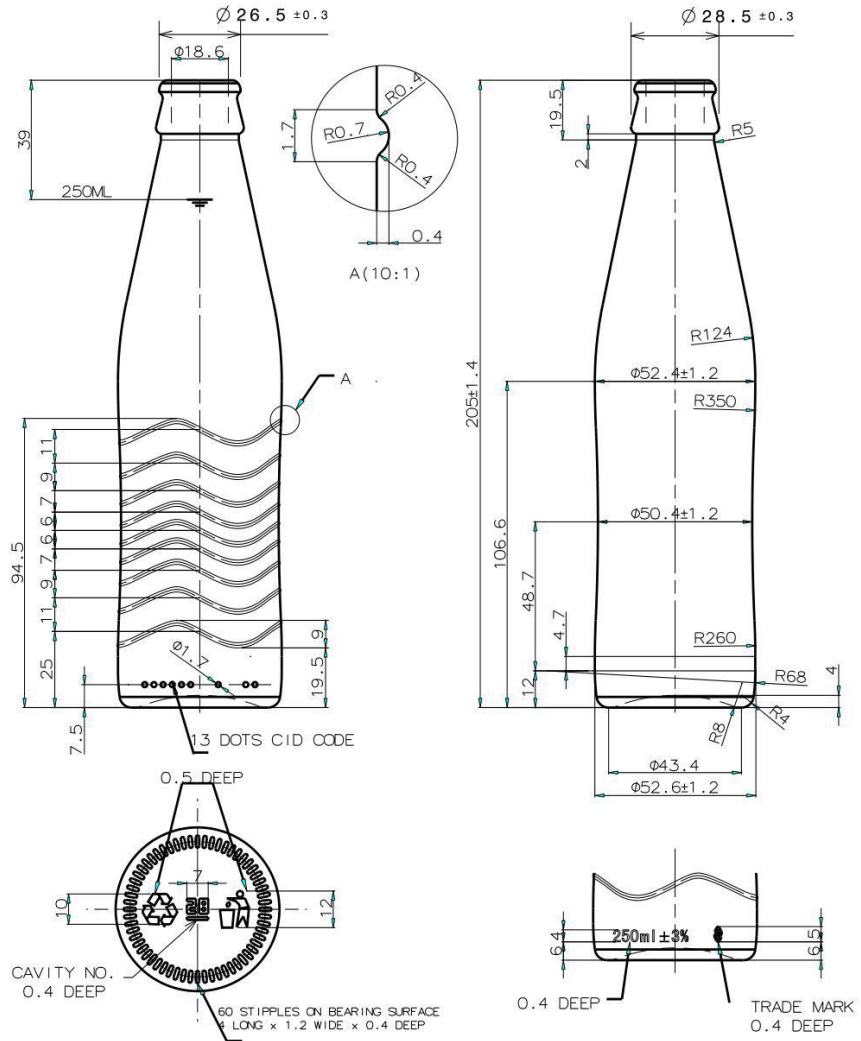
**CODE**

**NR:** MB114

**DATE:**

1400/03/04

**DATA Ref: GPI & INSO 1409**





شیشه و گاز

**SHISHE VA GAZ**

**NAME:**

SHOGA.250.C.c.W3

**PRODUCT DATA**

Brimful Capacity	265±7 ML
Filling Capacity	250 ML
Weight	170±8 gr
Colour	Flint
RING	GPI-600
Lablling	YES
printing	NO

**TECHNICAL DATA**

Machine Status:

**NNPB (5")**

Hight (mm)	205±1.4
Diameter (mm)	Ø52.6±1.2
Hot end Coating	YES
Cold end Coating	YES
Carbonated level	32mm
Thermoshock Max (c)	-
Pressur Max(bar)	20
Body Thickness min (mm)	1.3
Verticality MAX(mm)	4.1

**PACKING DATA**

Pallet Size(cm)

120x100x223

Nr.of Layers	10
Nr.of PCs in a Layer	452
Layer Weight(kg)	79
Nr.of PCs in a Pallet	4520
Pallet Weight(kg)	820
Area Efficiency(m <sup>2</sup> )	1.2

Pallet Type:  
Wooden STD

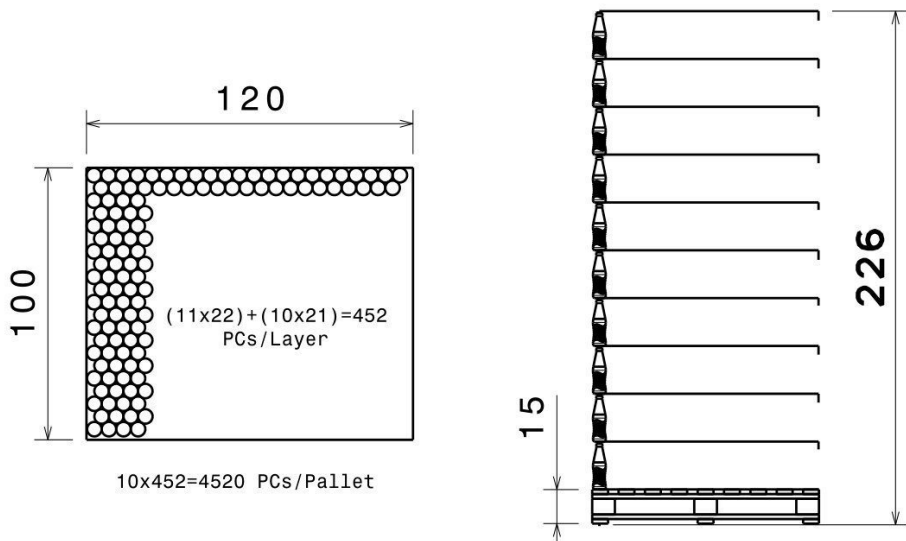
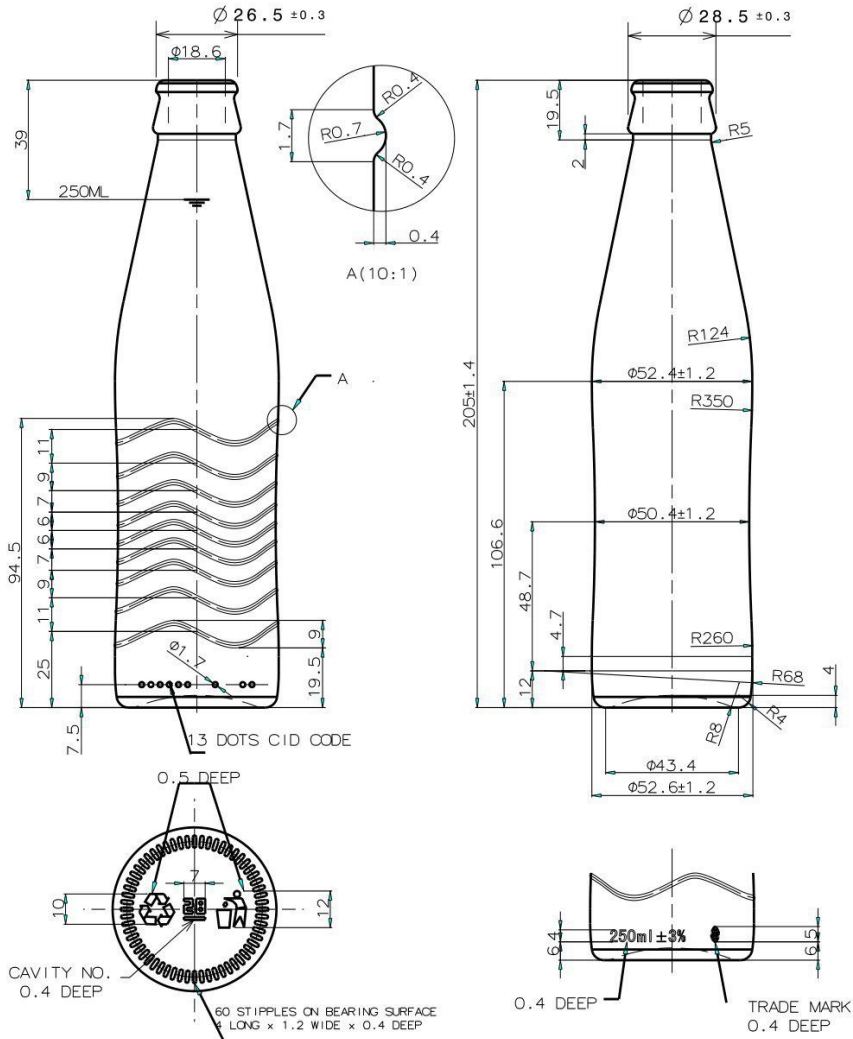
**CODE**

**NR:** MB114

**DATE:**

1400/03/04

**DATA Ref: GPI & INSO 1409**





شیشه و گاز

**SHISHE VA GAZ**

DATA Ref: GPI & INSO 1409

NAME:

SHOGA.250.C.c.W2

**PRODUCT DATA**

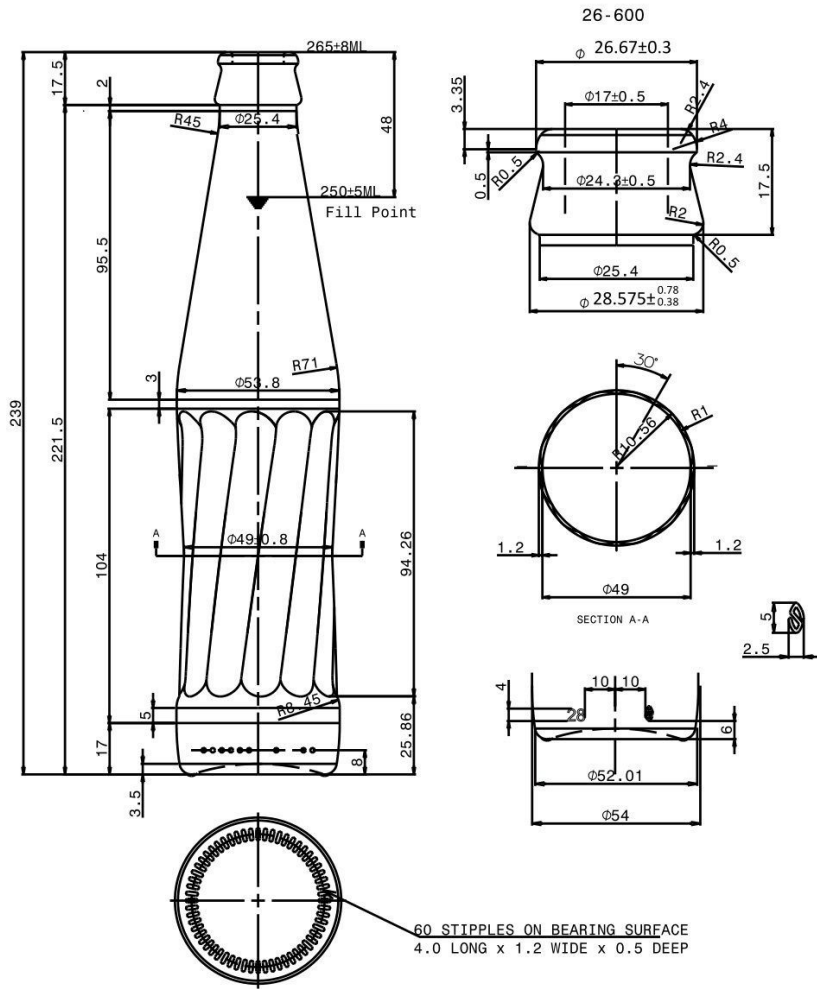
Brimful Capacity	265±8 ml
Filling Capacity	250 ml
Weight	310±10 gr
Colour	Flint
RING	GPI 26-600
Lablling	NO
printing	YES

**TECHNICAL DATA**

Machine Status:

**B&B (5, 1/2")**

Hight (mm)	239±1.5
Diameter (mm)	54 ±1.2
Hot end Coating	NO
Cold end Coating	NO
Carbonated level	-
Thermoshock Max (c)	-
Pressur Max(bar)	25
Body Thickness min (mm)	1.3
Vertical Durability MAX(mm)	5



**PACKING DATA**

Pallet Size(cm)

120x100x165

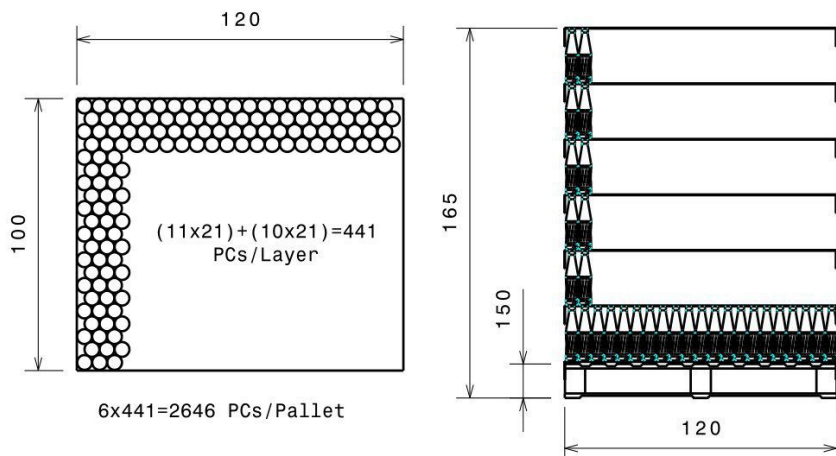
Nr.of Layers	6
Nr.of PCs in a Layer	441
Layer Weight(kg)	137
Nr.of PCs in a Pallet	2646
Pallet Weight(kg)	850
Area Efficiency(m <sup>2</sup> )	1.2

Pallet Type:

Wooden STD

DATE:

1400/2/4



Review Date: 05/07/2020

Review Num: 1

Document's code: QF1806



شیشه و گاز

## SHISHE VA GAZ

### NAME:

SHOGA.250.C.c.W4

### PRODUCT DATA

Brimful Capacity	267±8mL
Filling Capacity	250mL
Weight	170±8gr
Colour	Flint
RING	GPI 26-600
Lablling	NO
printing	NO

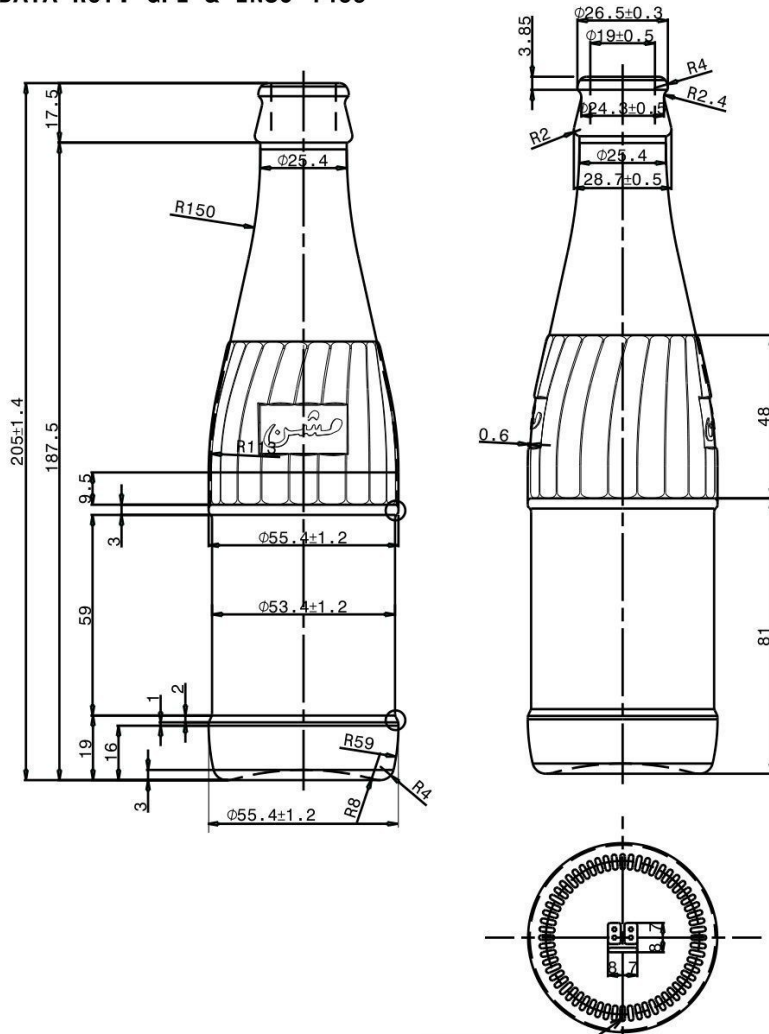
### TECHNICAL DATA

Machine Status:

**NNPB 4-1/4"**

Hight (mm)	205±1.4
Diameter (mm)	55.4±1.2
Hot end Coating	YES
Cold end Coating	YES
Carbonated level	-
Thermoshock Max (c)	-
Pressur Max(bar)	20
Body Thickness min (mm)	1.3
Vertical Durability MAX(mm)	4.3

DATA Ref: GPI & INSO 1409



KNURLING CRESCENTS 60 NOS 1.5 LONG 0.5 DEEP 1.4 WIDE

### PACKING DATA

Pallet Size(cm)

120x100x227

Nr.of Layers	10
Nr.of PCs in a Layer	410
Layer Weight(kg)	70
Nr.of PCs in a Pallet	4100
Pallet Weight(kg)	730
Area Efficiency(m <sup>2</sup> )	1.2

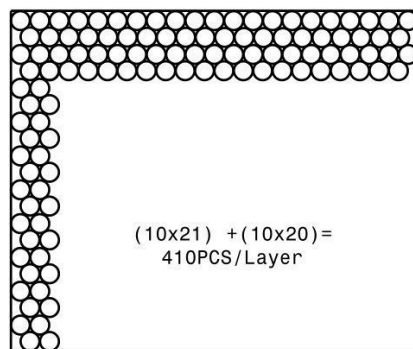
Pallet Type:

CODE

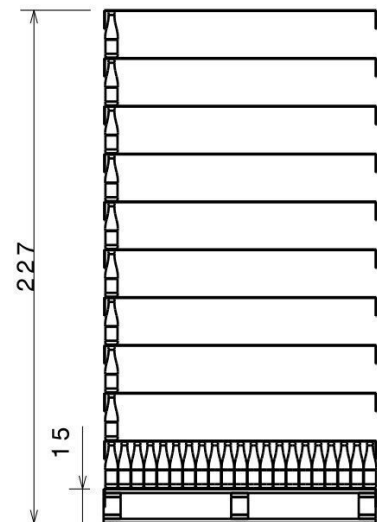
NR:

DATE:

1401/07/20



10x410=4100 PCS/Pallet



Review Date: 05/07/2020

Review Num: 1

Document's code: QF1807



شیشه و گاز

SHISHE VA GAZ

DATA Ref : GPI & INSO 1409

NAME:  
SHOGA.250.C.c.W1

PRODUCT DATA

Brimful Capacity (mL)	265±7
Filling Capacity (mL)	250
Weight (gr)	200±7
Colour	Flint
Ring	GPI 26-650
Labelling	No
Printing	No

TECHNICAL DATA

Machine Status:  
B & B 4.1/4"

Height (mm)	+1.2
Diameter (mm)	59±
Hot end Coating	No
Cold end Coating	No
Carbonated level	***
Thermoshock Max (°C)	50
Pressure Max (bar)	20
Body Thickness MIN (mm)	1.3
Vertical Durability MAX (mm)	3.9

PACKING DATA

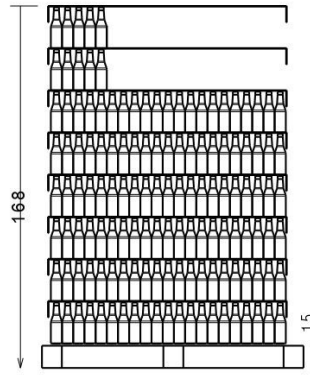
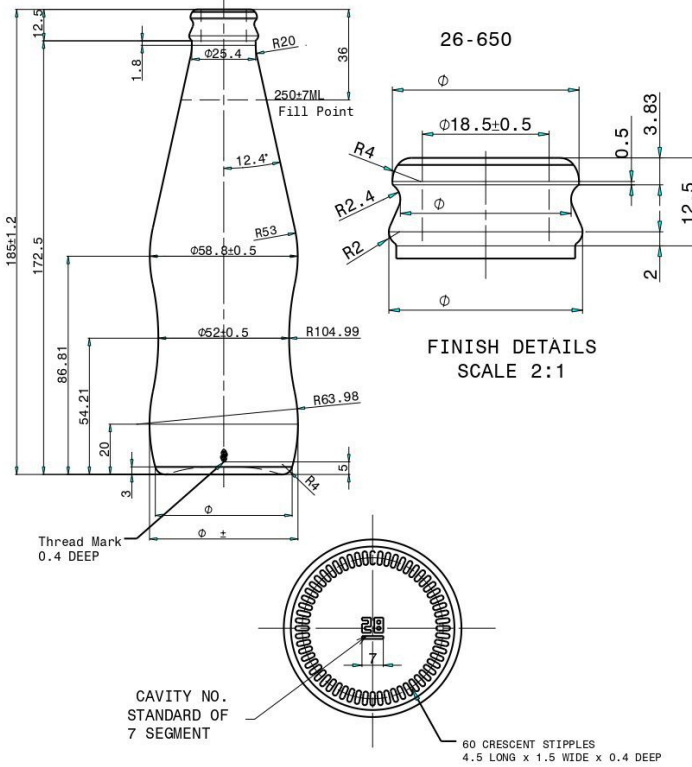
Pallet Size (cm<sup>3</sup>):  
100\*120\*168

Nr. of Layers	8
Nr. of PCs in a Layer	380
Layer Weight (Kg)	76
Nr. of PCs in a Pallet	3040
Pallet Weight (Kg)	640
Area Efficiency (m <sup>2</sup> )	1.2

Pallet Type:  
Wooden STD

CODE NR:

DATE:



8 \* 380 = 3040  
PCs/Pallet

Review Date:

Review Num:

Document's code:



شیشه و گاز

**SHISHE VA GAZ**

DATA Ref: GPI & INSO 1409

NAME:

SHOGA.250.C.c.W2

**PRODUCT DATA**

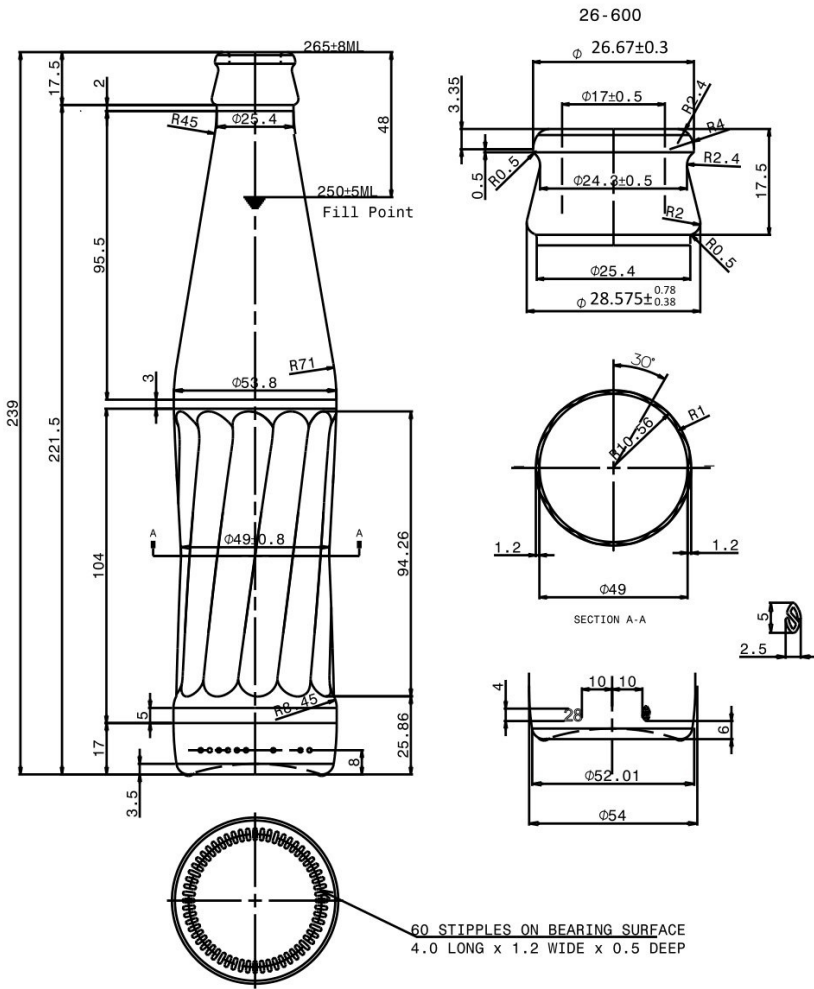
Brimful Capacity	265±8 ml
Filling Capacity	250 ml
Weight	310±10 gr
Colour	Flint
RING	GPI 26-600
Lablling	NO
printing	YES

**TECHNICAL DATA**

Machine Status:

**B&B (5, 1/2")**

Hight (mm)	239±1.5
Diameter (mm)	54 ±1.2
Hot end Coating	NO
Cold end Coating	NO
Carbonated level	-
Thermoshock Max (c)	-
Pressur Max(bar)	25
Body Thickness min (mm)	1.3
Vertical Durability MAX(mm)	5



**PACKING DATA**

Pallet Size(cm)

120x100x165

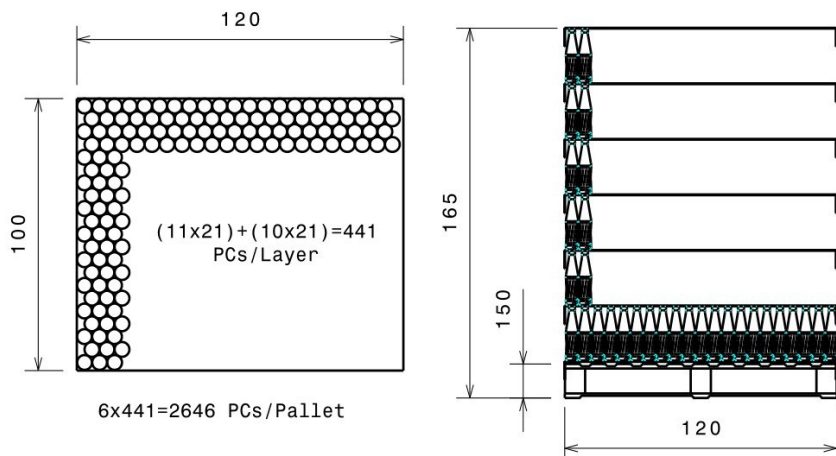
Nr.of Layers	6
Nr.of PCs in a Layer	441
Layer Weight(kg)	137
Nr.of PCs in a Pallet	2646
Pallet Weight(kg)	850
Area Efficiency(m <sup>2</sup> )	1.2

Pallet Type:

Wooden STD

DATE:

1400/2/4



Review Date: 05/07/2020

Review Num: 1

Document's code: QF1806



شیشه و گاز

SHISHE VA GAZ

DATA Ref: GPI & INSO 1409

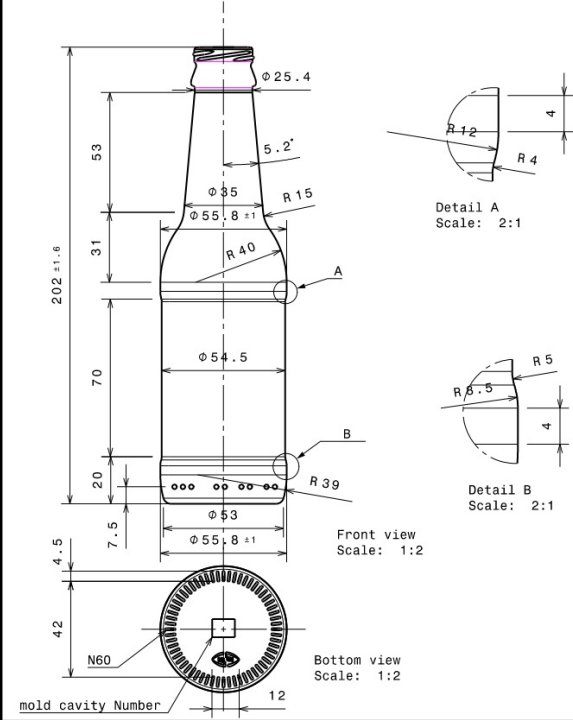
NAME:  
SHOGA.250.C.Tc.W2

PRODUCT DATA

Brimful Capacity	260±7 ML
Filling Capacity	250 ML
Weight	180±8 GR
Colour	Flint
RING	GPI 5013
Labling	NO
printing	NO

TECHNICAL DATA

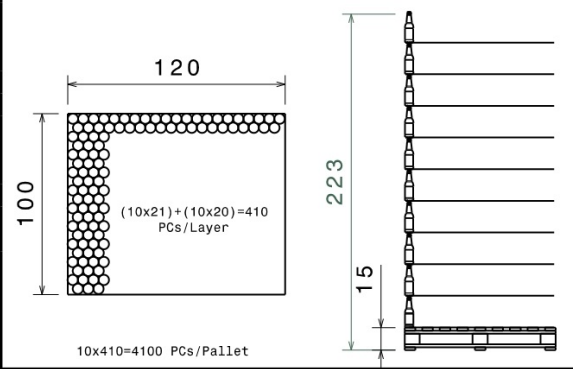
Machine Status: PB (5-1/2")	
Hight (mm)	202±1.5
Diameter (mm)	Ø55.8±1
Hot end Coating	YES
Cold end Coating	YES
Carbonated level	-
Thermoshock Max (c)	-
Pressur Max(bar)	22
Body Thickness min (mm)	1.3
Vertical Durability MAX(mm)	5



PACKING DATA

Pallet Size(cm)	
120x100x223	
Nr. of Layers	10
Nr. of PCs in a Layer	410
Layer Weight(kg)	79
Nr. of PCs in a Pallet	4100
Pallet Weight(kg)	790
Area Efficiency(m <sup>2</sup> )	1.2
Pallet Type: Wooden STD	

CODE NR:  
MB - - - 124  
DATE:  
1397/09/19





شیشه و گاز

SHISHE VA GAZ

DATA Ref: GPI & INSO 1409

NAME: SHOGA.250.C.c.W9

**PRODUCT DATA**

Brimful Capacity	262±5 ML
Filling Capacity	250
Weight	185±5 GR
Colour	Flint
RING	GPI 655
Labelling	NO
printing	NO

**TECHNICAL DATA**

Machine Status: <b>NNPB (5")</b>	
Hight (mm)	182±1.2
Diameter (mm)	Ø57.7±0.8
Hot end Coating	YES
Cold end Coating	YES
Carbonated level	-
Thermoshock Max (c)	.
Pressur Max(bar)	25
Body Thickness min (mm)	1.3
Vertical Durability MAX(mm)	4.7

**PACKING DATA**

<b>Pallet Size(cm)</b>	
Nr.of Layers	12
Nr.of PCs in a Layer	410
Layer Weight(kg)	76
Nr.of PCs in a Pallet	4920
Pallet Weight(kg)	940
Area Efficiency(m <sup>2</sup> )	1*1.2

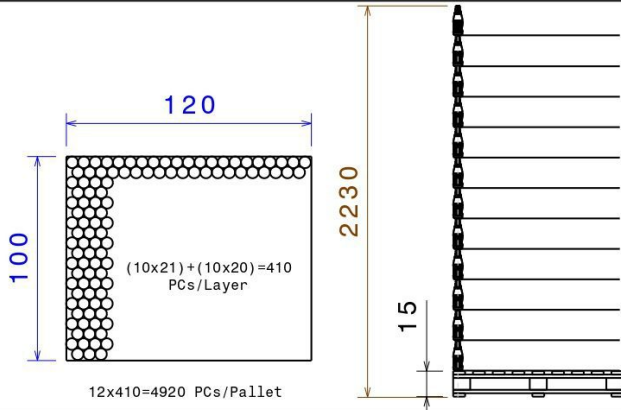
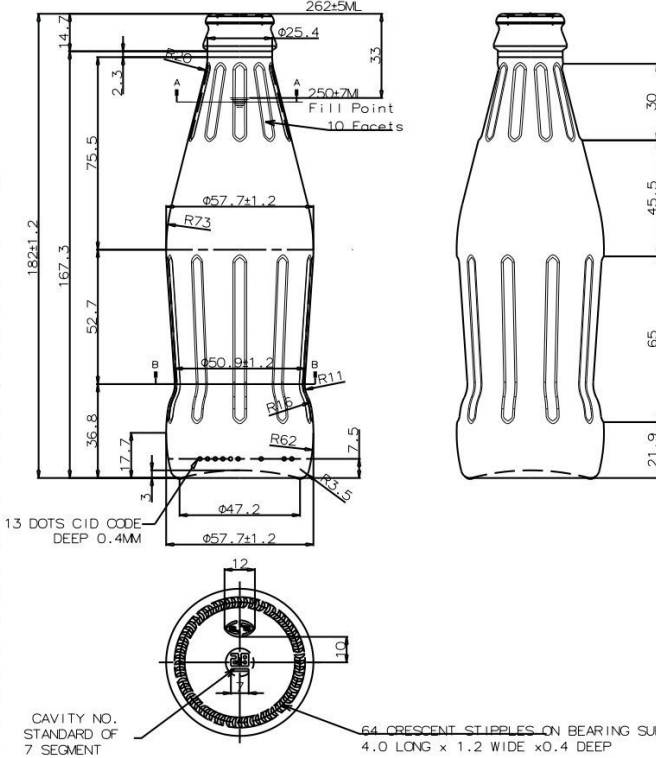
Pallet Type:  
Wooden STD

CODE NR:

MB - - - 126

DATE:

1398/09/28





شیشه و گاز

## SHISHE VA GAZ

### NAME:

SHOGA.250.C.Tc.W4

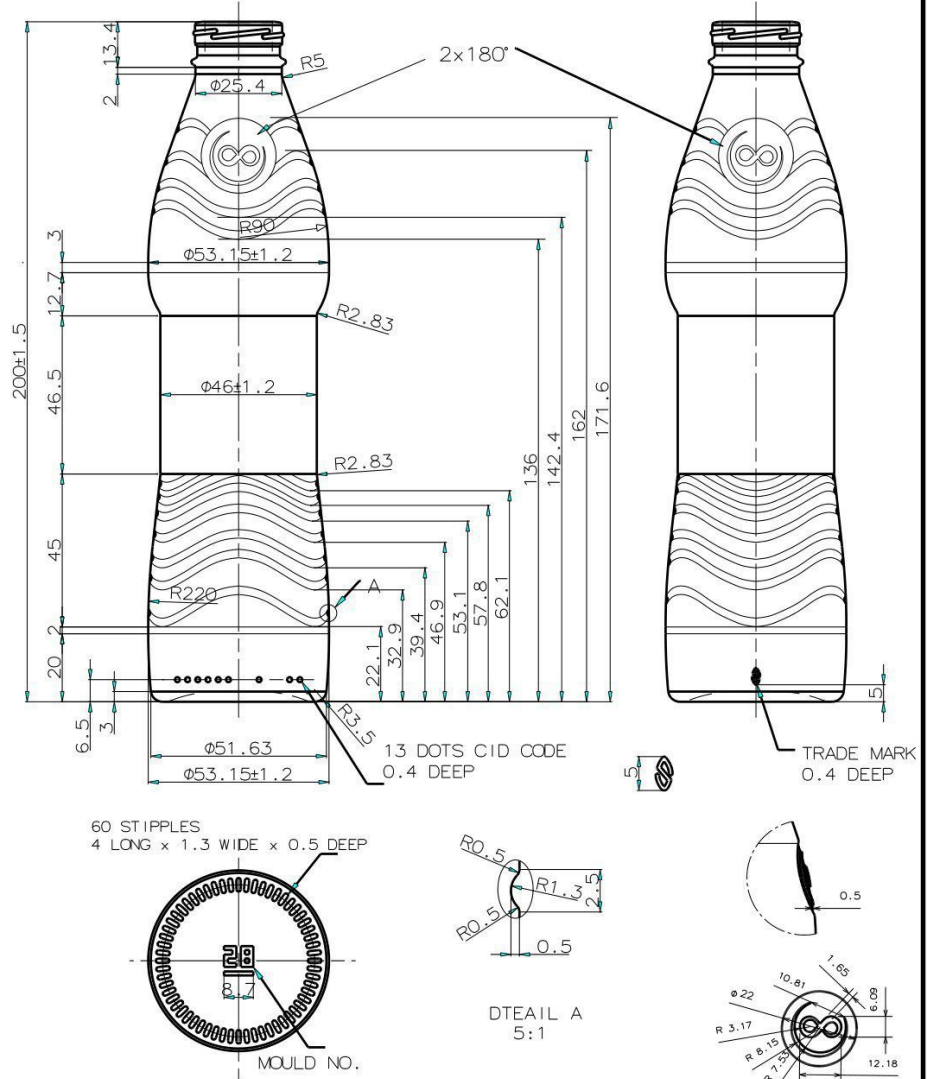
### PRODUCT DATA

Brimful Capacity	265±8 ml
Filling Capacity	250 ml
Weight	180±8gr
Colour	FLINT
RING	GPI 26-5407
Labelling printing	

### TECHNICAL DATA

Machine Status: NNPB 5"	
Hight (mm)	200±1.5 mm
Diameter (mm)	53.15±1.2 mm
Hot end Coating	YES
Cold end Coating	YES
Carbonated level	-
Thermoshock Max (c)	-
Pressur Max(bar)	-
Body Thickness min (mm)	
Vertical Durability MAX(mm)	

### DATA Ref: GPI & INSO 1409



### PACKING DATA

#### Pallet Size(cm)

120x100x222

Nr.of Layers	10
Nr.of PCs in a Layer	452
Layer Weight(kg)	81
Nr.of PCs in a Pallet	4520
Pallet Weight(kg)	844
Area Efficiency(m <sup>2</sup> )	1.2

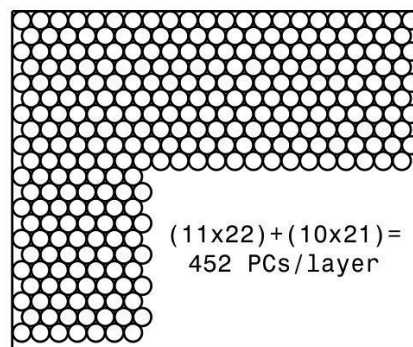
Pallet Type:

#### CODE

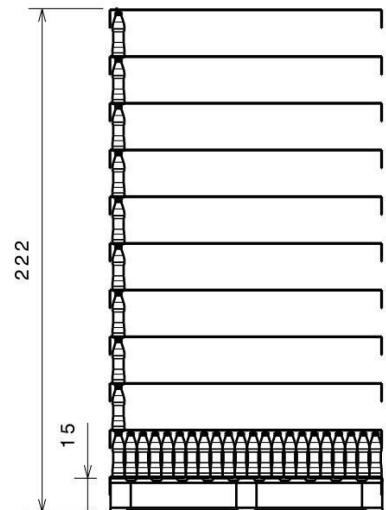
NR:

DATE:

1400/03/22



10x452=4520 PCs/Pallet



Review Date: 05/07/2020

Review Num: 1

Document's code: QF1806



شیشه و گاز

**SHISHE VA GAZ**

DATA Ref: GPI & INSO 1409

NAME:

SHOGA.250.C.c.W6

**PRODUCT DATA**

Brimful Capacity	265±8 ml
Filling Capacity	250 ml
Weight	200 ±9gr
Colour	Flint
RING	26-600
Labelling	YES
printing	NO

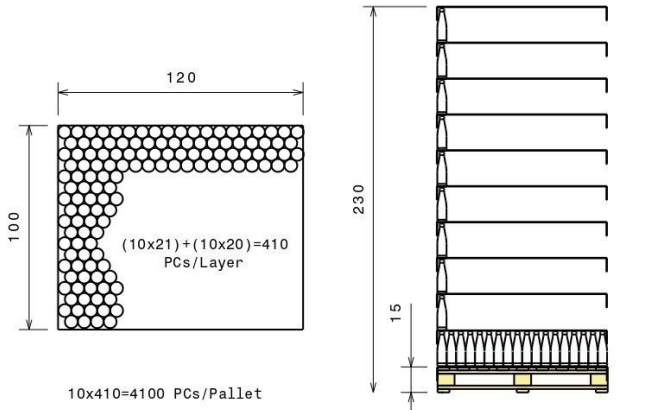
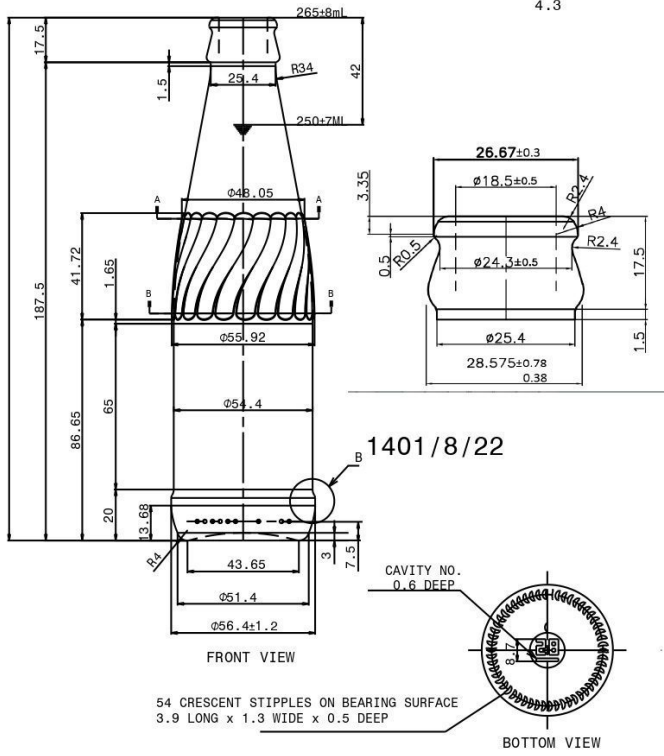
**TECHNICAL DATA**

Machine Status: <b>B&amp;B 5-1/2"</b>	
Hight (mm)	205±1.4
Diameter (mm)	56.4±1.2
Hot end Coating	NO
Cold end Coating	NO
Carbonated level	-
Thermoshock Max (c)	.
Pressur Max(bar)	20
Body Thickness min (mm)	1.3
Vertical Durability MAX(mm)	

**PACKING DATA**

Pallet Size(cm) <b>120x100x230</b>	
Nr.of Layers	10
Nr.of PCs in a Layer	410
Layer Weight(kg)	82
Nr.of PCs in a Pallet	4100
Pallet Weight(kg)	850
Area Efficiency(m <sup>2</sup> )	1.2
Pallet Type: Wooden STD	

DATE:



Review Date: 05/07/2020

Review Num: 1

Document's code: QF1806





شیشه و گاز

**SHISHE VA GAZ**

DATA Ref: GPI & INSO 1409

NAME:

SHOGA.250.C.c.W2

**PRODUCT DATA**

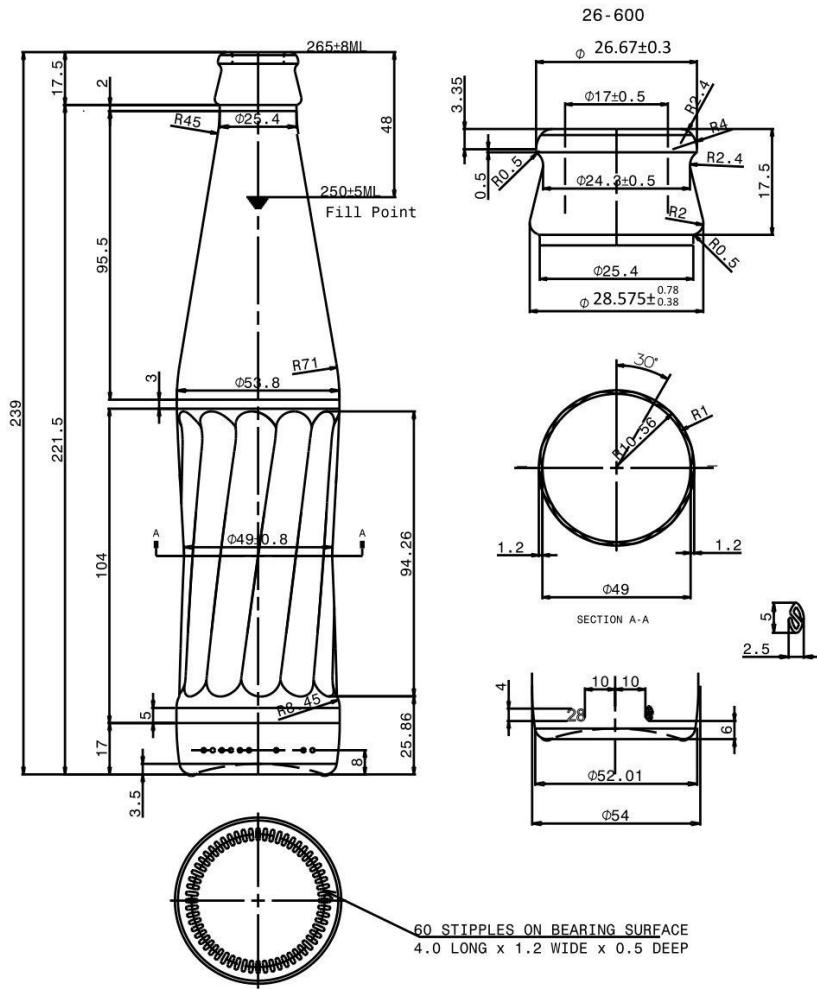
Brimful Capacity	265±8 ml
Filling Capacity	250 ml
Weight	310±10 gr
Colour	Flint
RING	GPI 26-600
Lablling	NO
printing	YES

**TECHNICAL DATA**

Machine Status:

**B&B (5, 1/2")**

Hight (mm)	239±1.5
Diameter (mm)	54 ±1.2
Hot end Coating	NO
Cold end Coating	NO
Carbonated level	-
Thermoshock Max (c)	-
Pressur Max(bar)	25
Body Thickness min (mm)	1.3
Vertical Durability MAX(mm)	5



**PACKING DATA**

Pallet Size(cm)

120x100x165

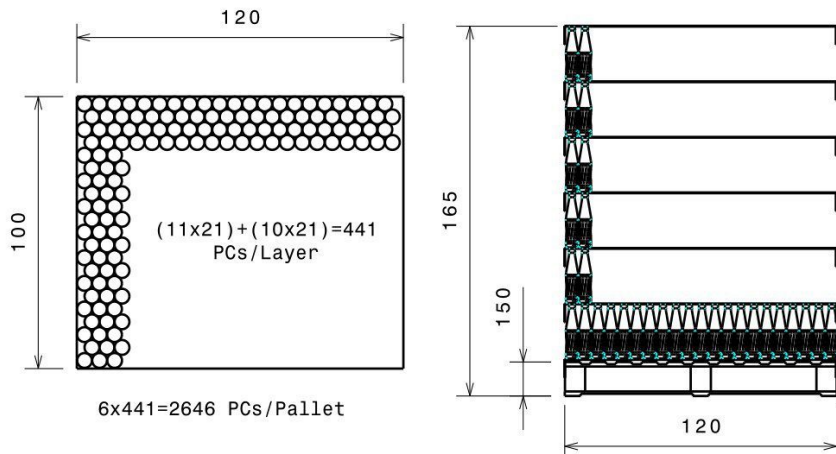
Nr.of Layers	6
Nr.of PCs in a Layer	441
Layer Weight(kg)	137
Nr.of PCs in a Pallet	2646
Pallet Weight(kg)	850
Area Efficiency(m <sup>2</sup> )	1.2

Pallet Type:

Wooden STD

DATE:

1400/2/4



Review Date: 05/07/2020

Review Num: 1

Document's code: QF1806



شیشه و گاز

## SHISHE VA GAZ

### NAME:

SHOGA.280.C.c.W

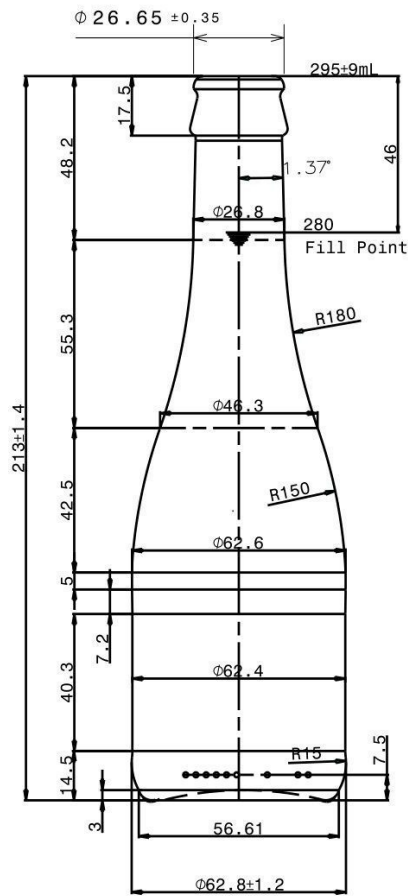
### PRODUCT DATA

Brimful Capacity	295±9mL
Filling Capacity	280mL
Weight	210±9gr
Colour	Flint
RING	GPI 26-600
Lablling	NO
printing	NO

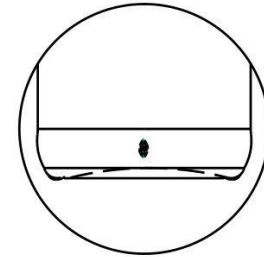
### TECHNICAL DATA

Machine Status:	
NNPB 5"	
Hight (mm)	213±1.4
Diameter (mm)	62.8±1.2
Hot end Coating	YES
Cold end Coating	YES
Carbonated level	-
Thermoshock Max (c)	-
Pressur Max(bar)	20
Body Thickness min (mm)	1.3
Vertical Durability MAX(mm)	4.5

DATA Ref: GPI & INSO 1409



CAVITY NO.



60 CRESCENT STIPPLES ON BEARING SURFACE  
5.0 LONG x 1.3 WIDE x 0.4 DEEP

### PACKING DATA

#### Pallet Size(cm)

120x100x190

Nr.of Layers	8
Nr.of PCs in a Layer	333
Layer Weight(kg)	70
Nr.of PCs in a Pallet	2664
Pallet Weight(kg)	590
Area Efficiency(m <sup>2</sup> )	1.2

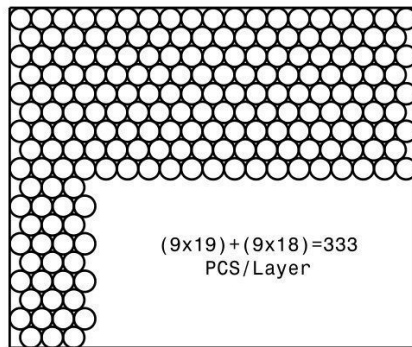
Pallet Type:

#### CODE

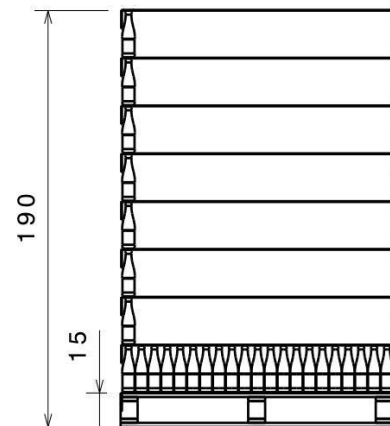
NR:

#### DATE:

1399/07/16



8x333=2664 PCS/Pallet



Review Date: 05/07/2020

Review Num: 1

Document's code: QF1807